

MONITORING MADE EASY



DESIGNED & DEVELOPED BY BLUEPOINT
www.bluepoint.ge | info@bluepoint.ge
N7, Georgian- American Friendship Ave.
0151, Tbilisi, Georgia



+995 555 39 2005
+995 555 49 2005

COMPLETE CCTV SOLUTIONS



Design



Installation



Configuration



Support 24/7

BluePoint offers complete CCTV solutions—from system design and equipment selection to installation, configuration, and ongoing support. We analyze each environment to ensure optimal camera placement, reliable coverage, and efficient system performance.

CAMERA TYPES & USE CASES



Different environments require different camera designs. BluePoint offers a carefully selected range of CCTV cameras—including Bullet, Dome, Turret, and Fisheye models—each designed to address specific monitoring needs. From long-range outdoor surveillance and discreet indoor coverage to wide-angle and 360-degree views, our camera solutions ensure optimal visibility, accuracy, and reliability across diverse spaces. By matching the right camera type to the right location, we deliver efficient coverage without unnecessary complexity.

SMART FEATURES & TECHNOLOGY



Infrared



Starlight Night Vision



Remote Access Mobile Viewing

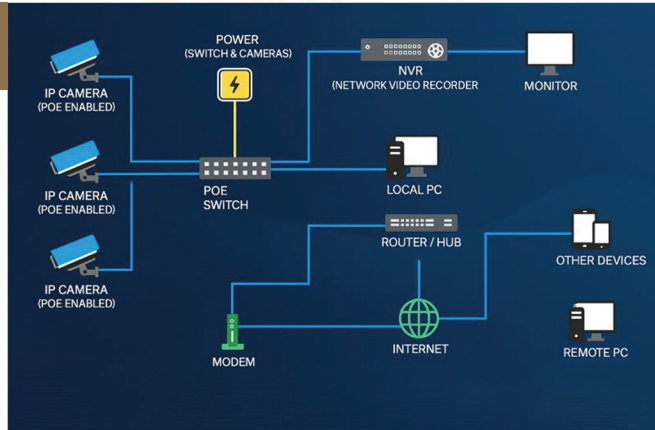


Two-Way Audio



BluePoint CCTV systems go beyond basic video recording by integrating smart monitoring features that enhance security and efficiency. Advanced motion detection, night vision optimization, and real-time alerts allow users to respond quickly to important events. With intuitive monitoring interfaces and secure access across devices, our technology transforms raw video into actionable insight—delivering clarity, control, and confidence in every situation.

NETWORK DESIGN & STORAGE



A reliable CCTV system requires more than selecting a camera model. BluePoint designs surveillance systems by carefully evaluating camera types, placement, angles, and configuration using professional planning tools. This ensures optimal coverage, enhanced security, cost efficiency, and protection against unauthorized access. CCTV systems must be professionally designed and configured—not simply installed—to deliver safe and effective monitoring.

REMOTE ACCESS & CONTROL



By Tablet



By Phone



By Computer



Monitor Room



BluePoint CCTV systems provide secure remote access, allowing authorized users to monitor live and recorded footage from anywhere using smartphones, tablets, or computers. With intuitive interfaces and encrypted connections, system control remains simple, responsive, and protected. Whether on-site or off-site, you stay connected to your office and company without compromising security or performance.



INSTALLATION & SETUP



By Cable



By Phone



By VPN



Monitor Room

Professional installation is essential to the performance and reliability of any CCTV system. BluePoint ensures precise camera positioning, correct angle calibration, clean cabling, and secure system configuration in accordance with industry best practices. Every installation is carried out by experienced professionals to deliver optimal coverage, stable operation, and long-term system integrity—giving clients confidence that their security system is built to perform from day one.

MAINTENANCE & SUPPORT



Support



Guarantee



Free Training



Service on Place



Security systems require continuity and care. BluePoint offers professional maintenance and ongoing support to ensure stable operation, system health, and dependable performance over time—providing peace of mind beyond installation.

INDUSTRIES WE SERVE



Hotels



Factories



Retail | Shops



Warehouses



BluePoint delivers CCTV solutions across a wide range of industries, adapting each system to the operational needs, risk profiles, and environments of different sectors. From offices and retail spaces to warehouses, industrial facilities, and mixed-use properties, our surveillance systems are designed to provide effective coverage, reliable monitoring, and scalable performance. Every solution is tailored to support safety, operational continuity, and long-term security requirements.



CONTROL YOUR BUSINESS



Hotels



Factories



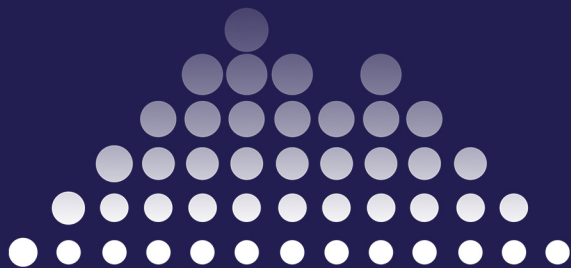
Retail | Shops



Warehouses



Secure and efficient operations start with visibility and control. BluePoint designs CCTV solutions for single locations and multi-branch businesses, enabling managers to monitor operations, oversee staff activity, and maintain consistent security across all sites. With professionally designed systems and secure remote access, BluePoint helps protect your business while giving decision-makers the confidence and control they need—anytime, anywhere.



Blue Point

Tech for every business

Let's build a secure, connected, and well-controlled business environment together.



+995 555 39 2005

+995 555 49 2005



DESIGNED & DEVELOPED BY BLUEPOINT

www.bluepoint.ge | info@bluepoint.ge

N7, Georgian-American Friendship Ave.
0151, Tbilisi, Georgia